

SERIES UFR

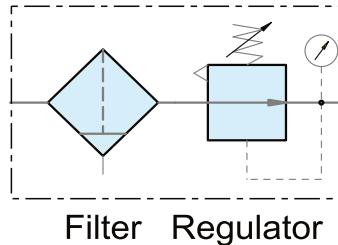
AIR FILTER REGULATOR



Features

- Removes water and particles from the air effectively.
- Filter elements are easy to interchange and replace.
- Accurate and effortless pressure adjustment.
- Supplied with mounting accessories

Symbol



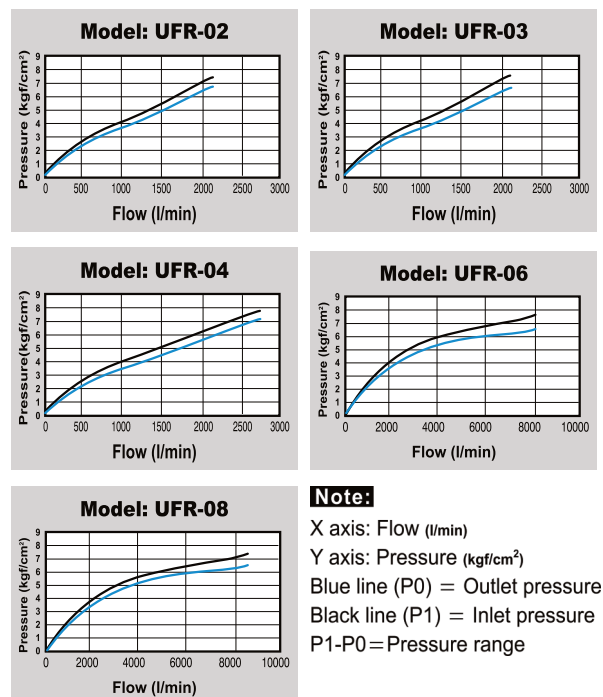
How to order

UFR Filter Regulator	02 Port size	N Thread	C Filtration	D Drain	A Bowl																																								
	<table border="1"> <tr><td>02</td><td>1/4"</td></tr> <tr><td>03</td><td>3/8"</td></tr> <tr><td>04</td><td>1/2"</td></tr> <tr><td>06</td><td>3/4"</td></tr> <tr><td>08</td><td>1"</td></tr> </table>	02	1/4"	03	3/8"	04	1/2"	06	3/4"	08	1"	<table border="1"> <tr><td>Blank</td><td>G</td></tr> <tr><td>N</td><td>NPT</td></tr> <tr><td>R</td><td>Rc</td></tr> </table>	Blank	G	N	NPT	R	Rc	<table border="1"> <tr><td colspan="2">PE</td></tr> <tr><td>Blank</td><td>5 μm</td></tr> <tr><td>C</td><td>40 μm</td></tr> <tr><td colspan="2">Sintered brass</td></tr> <tr><td>S</td><td>5 μm</td></tr> <tr><td>T</td><td>40 μm</td></tr> </table>	PE		Blank	5 μm	C	40 μm	Sintered brass		S	5 μm	T	40 μm	<table border="1"> <tr><td>Blank</td><td>Semi-auto drain</td></tr> <tr><td>H</td><td>Manual drain</td></tr> <tr><td>D</td><td>Auto drain</td></tr> </table>	Blank	Semi-auto drain	H	Manual drain	D	Auto drain	<table border="1"> <tr><td>Blank</td><td>Standard bowl</td></tr> <tr><td>A</td><td>Anti-acid & alkali bowl</td></tr> <tr><td>AL</td><td>Aluminum bowl (1/4"~1/2")</td></tr> </table>	Blank	Standard bowl	A	Anti-acid & alkali bowl	AL	Aluminum bowl (1/4"~1/2")
02	1/4"																																												
03	3/8"																																												
04	1/2"																																												
06	3/4"																																												
08	1"																																												
Blank	G																																												
N	NPT																																												
R	Rc																																												
PE																																													
Blank	5 μm																																												
C	40 μm																																												
Sintered brass																																													
S	5 μm																																												
T	40 μm																																												
Blank	Semi-auto drain																																												
H	Manual drain																																												
D	Auto drain																																												
Blank	Standard bowl																																												
A	Anti-acid & alkali bowl																																												
AL	Aluminum bowl (1/4"~1/2")																																												

Specifications

Model	UFR-02	UFR-03	UFR-04	UFR-06	UFR-08
Port size	1/4"	3/8"	1/2"	3/4"	1"
Fluid	Compressed air				
Regulator construction	Piston				
Body material	Aluminum die-cast				
Bowl material	Polycarbonate (Standard), Anti-acid & alkali bowl (Option), Aluminum bowl (Option)				
Filtration	PE: 5μm (Standard), 40μm (Option) Sintered brass (Option): 5μm, 40μm				
Operating pressure range	0.5 ~ 10 kgf/cm ²				
Proof pressure (Standard bowl)	15 kgf/cm ²				
Max. flow rate l/min (ANR)	2080	2100	2600	7940	8200
Ambient temperature	-10°C ~ 60°C				
Lubricator oil (Recommended)	ISO-VG32				
Filter bowl capacity	105cc			210cc	
Lubricator bowl capacity	125cc			235cc	
Standard drain	Semi-auto drain (Drains below 0.5kgf/cm ²)				
Net weight	930g (W/I Aluminum bowl, 1230g)			1360g	
Accessories	Pressure gauge, Mounting bracket, Plug, Screw x 4				

Flow chart

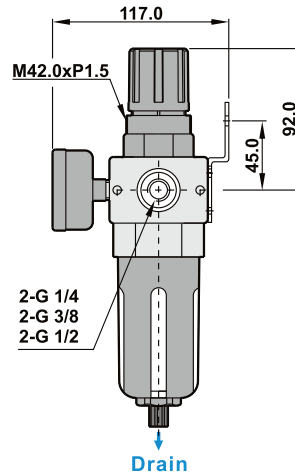
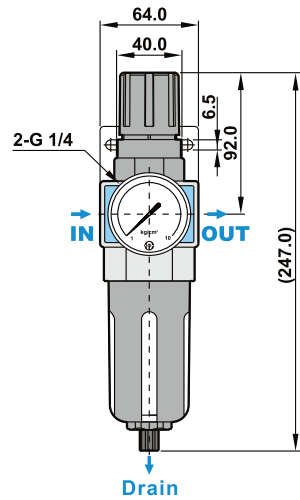


SERIES UFR

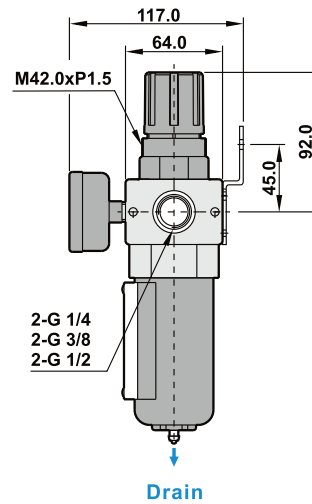
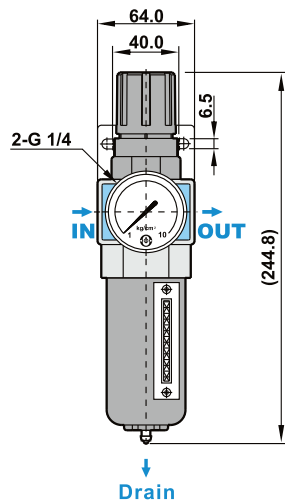
AIR FILTER REGULATOR

Dimensions

UFR-02, 03, 04



UFR-02AL, 03AL, 04AL (Aluminum bowl)



UFR-06, 08

